



# Standard Specification for Bicycle Trailer Cycles Designed for Human Passengers<sup>1</sup>

This standard is issued under the fixed designation F2917; the number immediately following the designation indicates the year of original adoption or, in the case of revision, the year of last revision. A number in parentheses indicates the year of last reapproval. A superscript epsilon ( $\epsilon$ ) indicates an editorial change since the last revision or reapproval.

## 1. Scope

1.1 This specification covers trailer cycles, intended to be pulled behind bicycles, with seat post attachment, in order to transport children. It includes test methods for confirming that this specification is satisfied.

1.2 The values stated in SI units are to be regarded as the standard. The units given in parentheses are for information only.

1.3 *The following safety caveat applies to the chemical, mechanical, or physical, or a combination thereof, test methods described herein and is meant specifically for those performing the tests (in an effort to provide them with notice to take the appropriate precautions when conducting the tests). This standard does not purport to address all of the safety concerns, if any, associated with its use. It is the responsibility of the user of this standard to establish appropriate safety and health practices and determine the applicability of regulatory limitations prior to use.*

## 2. Referenced Documents

### 2.1 ASTM Standards:<sup>2</sup>

- B117 Practice for Operating Salt Spray (Fog) Apparatus
- D1230 Test Method for Flammability of Apparel Textiles<sup>3</sup>
- D4329 Practice for Fluorescent UV Exposure of Plastics
- F2043 Classification for Bicycle Usage
- G23 Practice for Operating Light-Exposure Apparatus (Carbon-Arc Type) With and Without Water for Exposure of Nonmetallic Materials<sup>3</sup>

### 2.2 ANSI Standards:<sup>4</sup>

- ANSI Z535.4 Product Safety Signs and Labels
- ANSI Z535.6 Product Safety Information in Product Manuals, Instructions, and Other Collateral Materials

<sup>1</sup> This specification is under the jurisdiction of ASTM Committee F08 on Sports Equipment and Facilities and is the direct responsibility of Subcommittee F08.10 on Bicycles.

Current edition approved June 1, 2011. Published August 2011. DOI: 10.1520/F2917-11.

<sup>2</sup> For referenced ASTM standards, visit the ASTM website, [www.astm.org](http://www.astm.org), or contact ASTM Customer Service at [service@astm.org](mailto:service@astm.org). For *Annual Book of ASTM Standards* volume information, refer to the standard's Document Summary page on the ASTM website.

<sup>3</sup> Withdrawn. The last approved version of this historical standard is referenced on [www.astm.org](http://www.astm.org).

<sup>4</sup> Available from American National Standards Institute (ANSI), 25 W. 43rd St., 4th Floor, New York, NY 10036, <http://www.ansi.org>.

### 2.3 Federal Standards:<sup>5</sup>

- Title 16, CFR 1303 Lead in Coatings
- Title 16, CFR 1500.3(b)(4)(i) Hazardous Substance
- Title 16, CFR 1500.48 Sharp Points
- Title 16, CFR 1500.49 Sharp Edges
- Title 16, CFR 1501 Small Parts
- Title 16, CFR 1512 Requirements for Bicycles, Sections: 1512.18(n), Reflector Test

## 3. Terminology

### 3.1 Definitions of Terms Specific to This Standard:

- 3.1.1 *lead bicycle*—the bicycle used to tow the trailer cycle.
- 3.1.2 *normal use*—applications described as intended use for the product found within the manufacturer's instructional literature.
- 3.1.3 *normal use temperatures*—temperature range within which it should be anticipated that the trailer cycle may be used to transport children. The range is from  $-7$  to  $+50^{\circ}\text{C}$  ( $\pm 2^{\circ}$ ).
- 3.1.4 *occupant*—a child or person who is riding the trailer cycle.
- 3.1.5 *rider*—a person who controls the lead bicycle to which the trailer cycle is attached, and who is responsible for control of the trailer cycle.
- 3.1.6 *trailer cycle*—a transporting device, with a single rear wheel, designed to provide a tandem bicycle riding experience for one or two children. The device includes the fastening arrangements for attaching and towing it behind a lead bicycle.
- 3.1.7 *useful product lifecycle*—allowable range of time for continued use of a product from the date of manufacture as described within the manufacturer's instructional literature.

## 4. Requirements

4.1 *General*—Trailer cycles shall be designed and manufactured such that components with which an occupant may come in contact do not cause injury when used in accordance with the manufacturer's instructions. Exposed surfaces shall be free from burrs, sharp edges, and points. Refer to Title 16, CFR 1500, Parts 48 and 49, and Title 16, CFR 1501. Trailer cycles shall be equipped with rear reflectors; pedal reflectors; side reflectors on the wheel. Refer to Title 16, CFR 1512, Parts 16 and 18(n).

<sup>5</sup> Available from U.S. Government Printing Office Superintendent of Documents, 732 N. Capitol St., NW, Mail Stop: SDE, Washington, DC 20401, <http://www.access.gpo.gov>.

4.2 *Equipment*—Trailer cycles shall be equipped with the following equipment: handlebar, seat, pedals, and a drivetrain to provide human power to the rear wheel. The seatpost shall have a minimum insertion marking as defined in [Title 16, CFR 1512](#).

4.3 *Materials:*

4.3.1 All nonmetallic materials that compose structural components will be subjected to either (1) 100 h of accelerated weathering in accordance with Method 1 of Practice [G23](#), or (2) 60 h of accelerated weathering in accordance with Practice [D4329](#) prior to any testing.

4.3.2 All painted materials shall comply with [Title 16, CFR 1303](#).

4.3.3 Mechanical properties of materials used in the construction of trailer cycles shall not fail as a result of exposure to the temperature variances defined as normal use temperatures in [3.1.6](#) under normal use applications or within useful product lifecycle.

4.3.4 Materials known to be a hazardous substance, as defined in [Title 16, CFR 1500.3\(b\)\(4\)\(i\)](#), shall not be used.

5. Test Methods

5.1 *Test Order*—Perform the lean angle test first, then torsion fatigue test, and then the bump fatigue test on the same sample.

5.2 *Lean Angle Test:*

5.2.1 With the trailer cycle attached to a dummy lead bike simulated by a post mounted to a hinge on the floor as in [Fig. 1](#), lean the lead bicycle 25° in each direction.

5.2.2 Ensure the trailer cycle pedals, with the foot surface of the pedal horizontal and the pedal crank in its lowest position, do not hit the ground.

5.3 *Torsion Fatigue Test*—The trailer cycle shall be mounted for fatigue testing as in [Fig. 2](#).

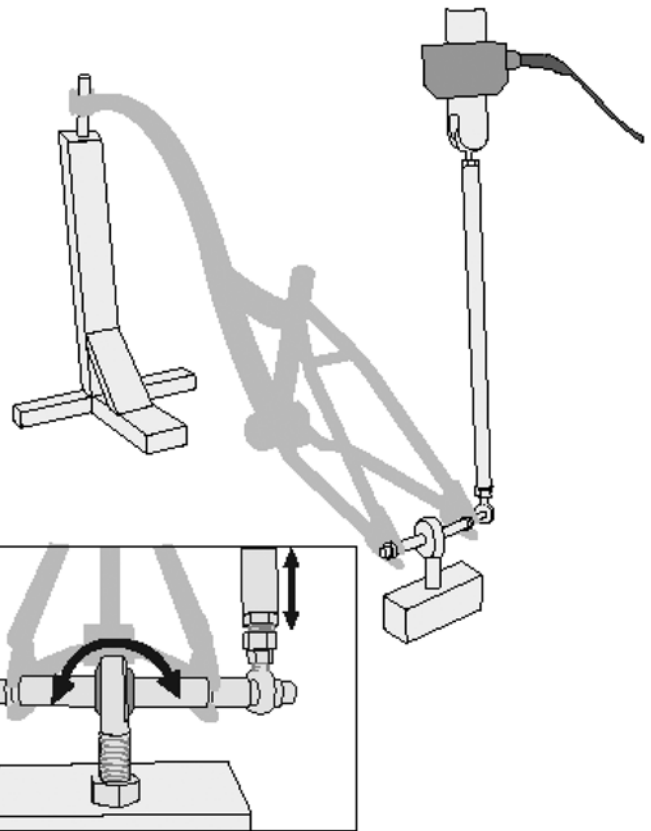


FIG. 2 Torsion Fatigue Test of the Trailer Cycle with Connection to Dummy Seatpost

5.3.1 The trailer cycle wheel is removed.

5.3.2 A fixture is created to apply a displacement load perpendicular to the ground and perpendicular to the centerline of the trailer cycle, through the rear wheel dropouts.

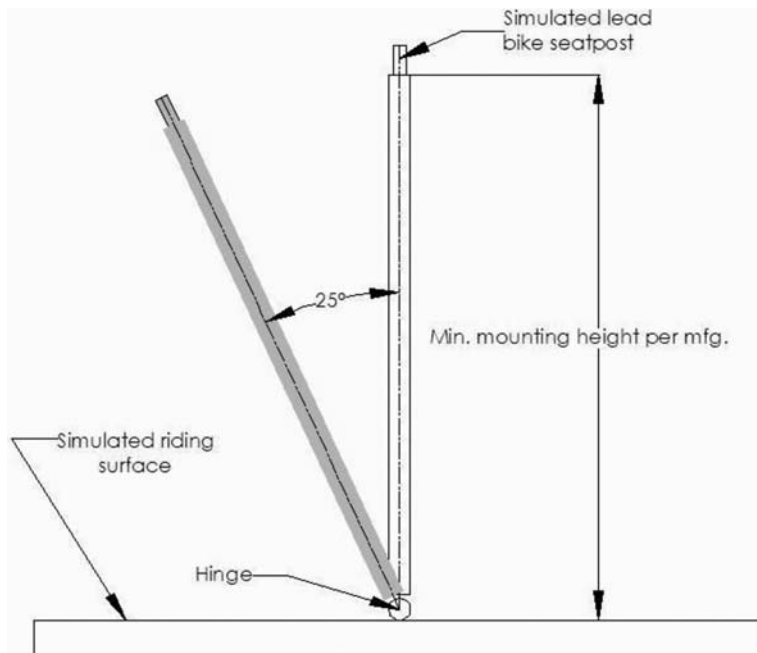


FIG. 1 Lean Angle Test Fixture